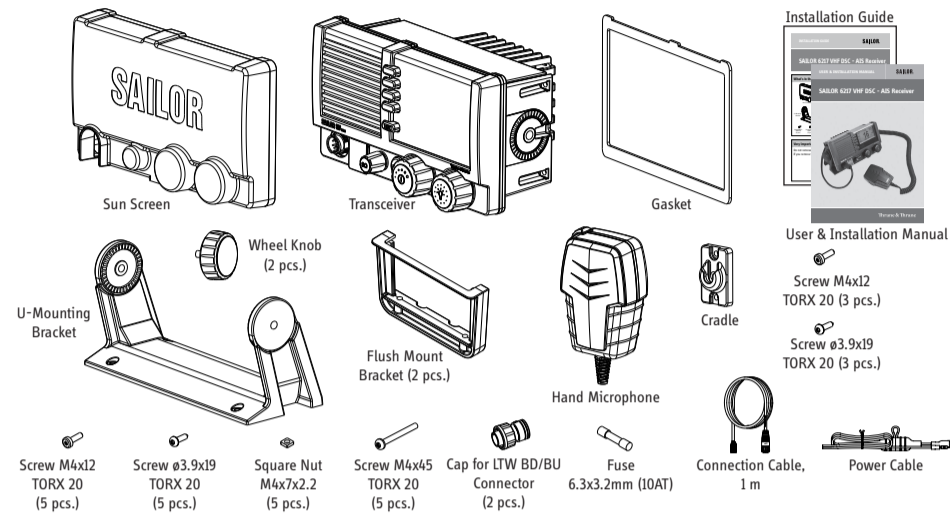
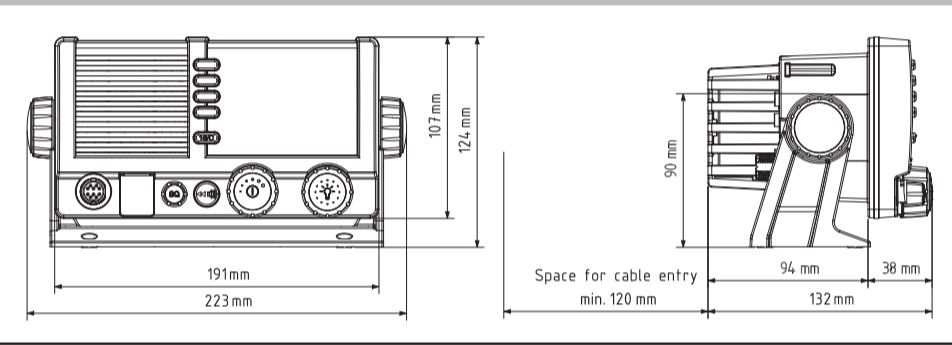


SAILOR 6217 VHF DSC - AIS Receiver

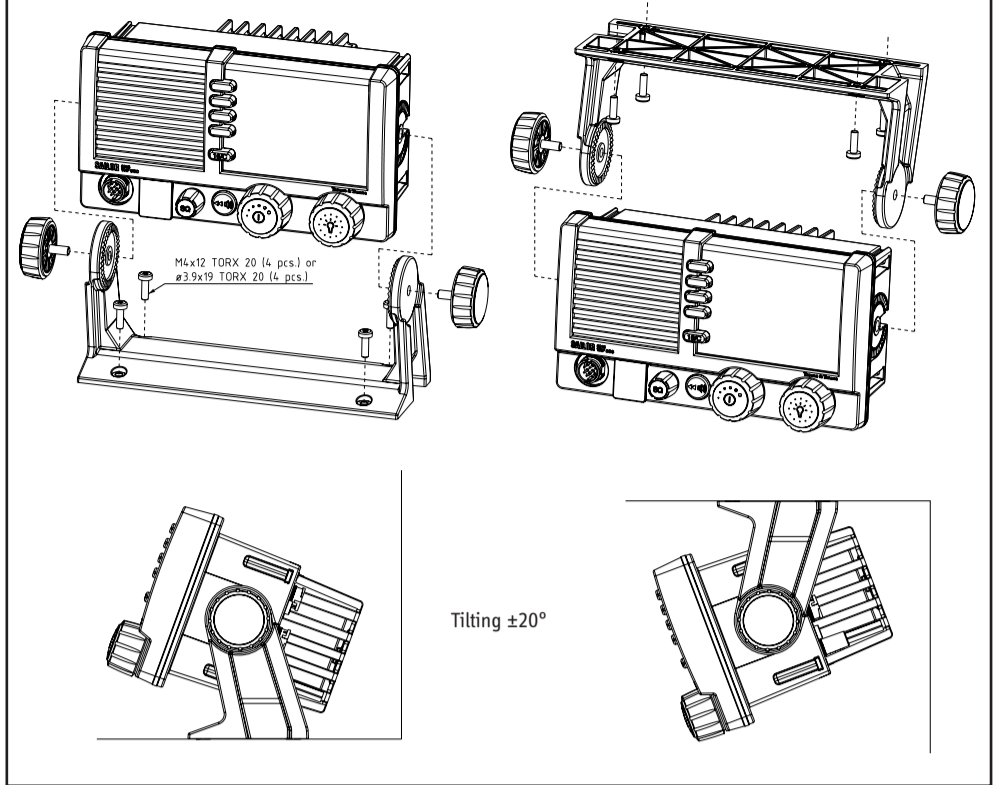
What's in the box?



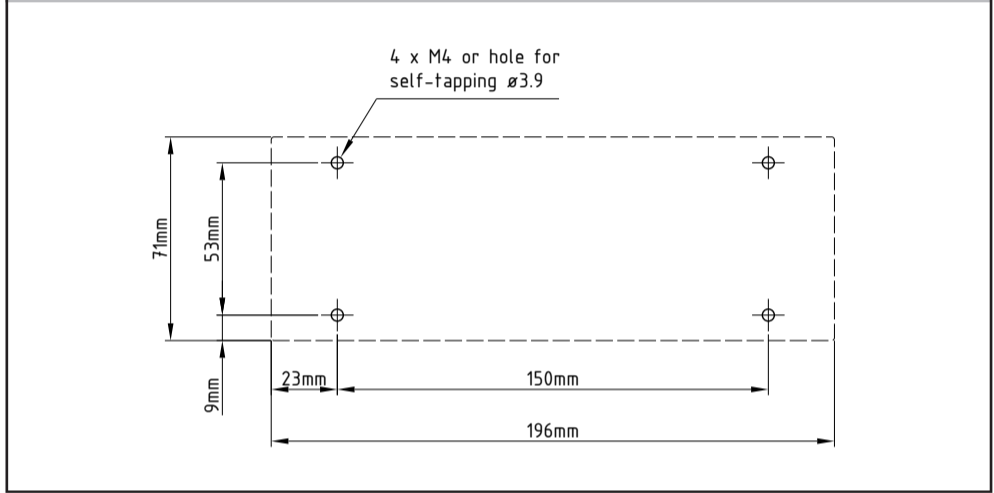
Dimensions for the VHF



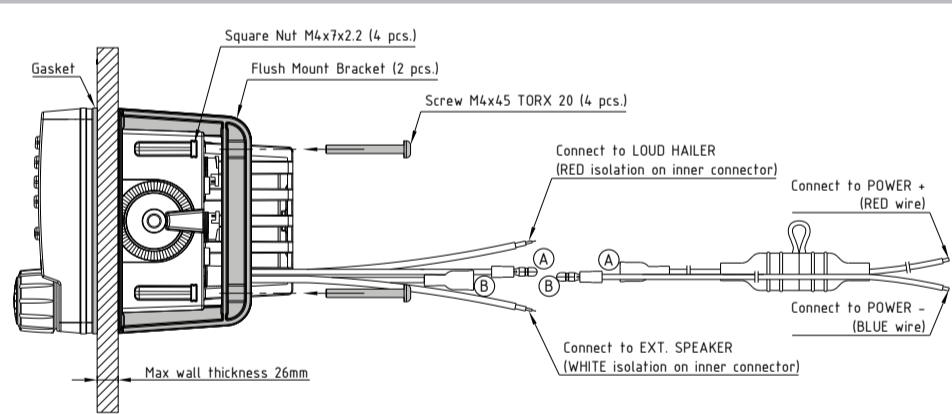
How to install the VHF on desktop and overhead



Drilling plan on desktop and overhead



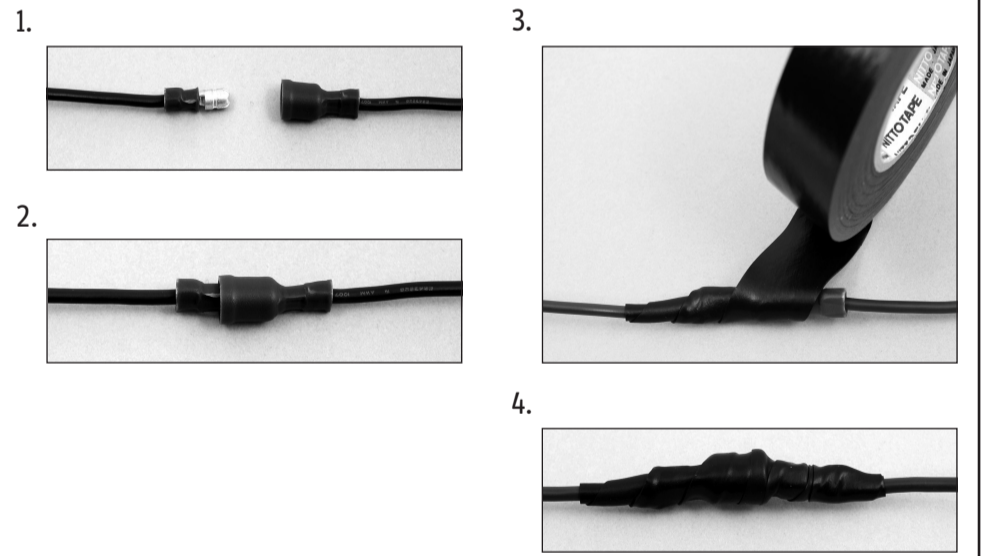
How to install the VHF flush mount



- Note!**
- Firmly tie back and secure any wires not used in order to avoid possibility for mutual shorting or shorting to ground!
 - To ensure waterproof sealing: If the surface isn't plane and/or rigid remove the gasket and seal with silicone sealant between the VHF and the surface.

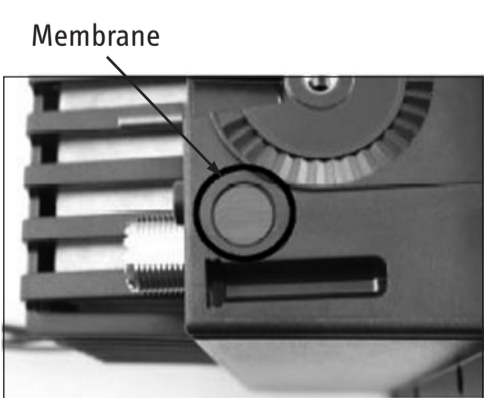
Cable assembly for waterproof installation

Connect the 4 cable connections with rubber vulcanizing tape as shown



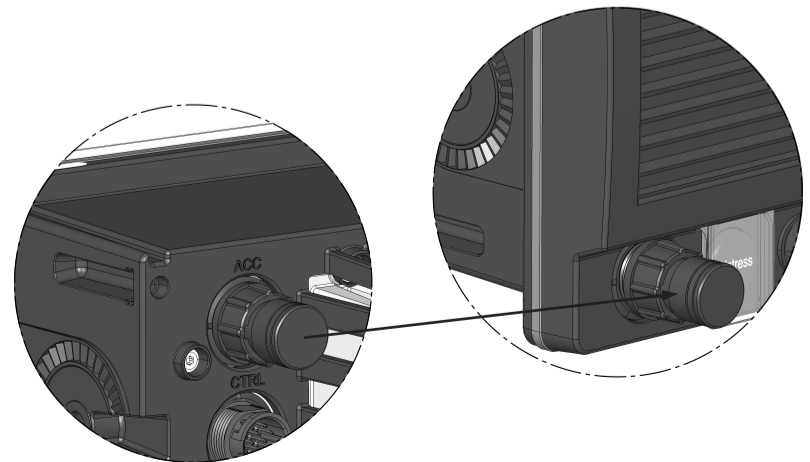
Very important information!

Do not remove the membrane. If you remove the membrane the radio will not be waterproof.

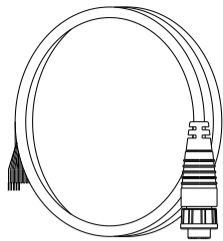


How to prevent water ingress

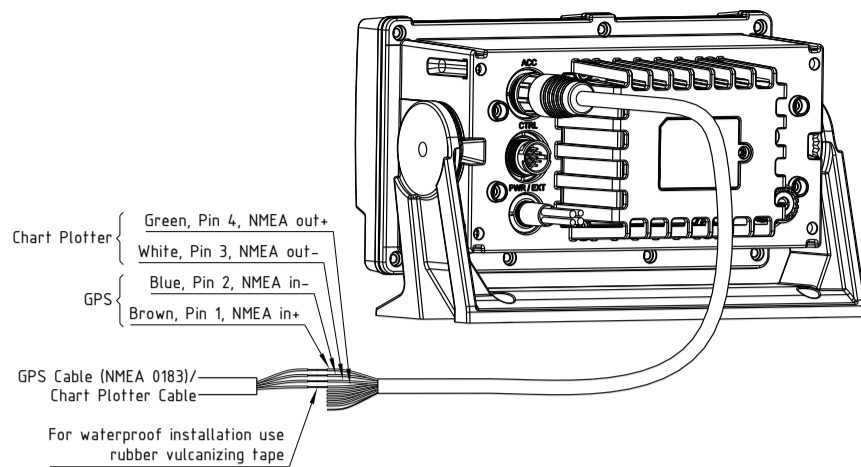
Connector for Hand Microphone or Handset - If not used, put the cap from the ACC connector on the front connector to prevent water ingress.



How to install the GPS and the Chart Plotter - Cable connections

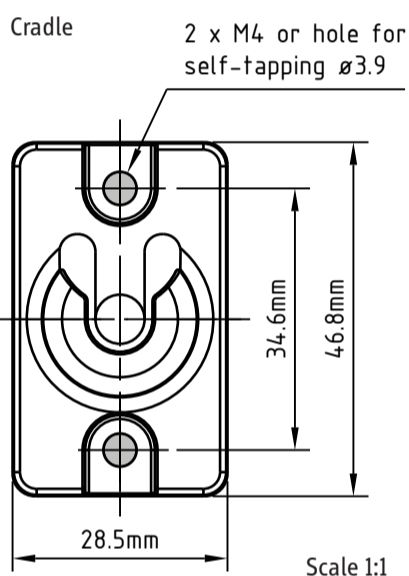
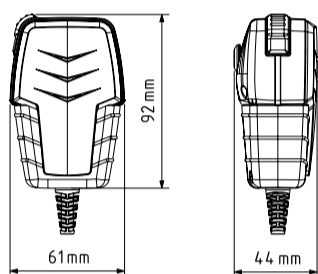


Description	Pin	Wire color	Pin assignments Front View
NMEA in+	1	Brown	
NMEA in-	2	Blue	
NMEA out-	3	White	
NMEA out+	4	Green	
Mike 2 / Line in	5	Yellow	
EAR 2 / Line out	6	Grey	
Hook_PTT	7	Pink	
Battery Supply when radio is on	8	Red	
Internal GND = - Battery	9	Black	
Internal GND = - Battery	10	Orange - SCREEN (Drain)	



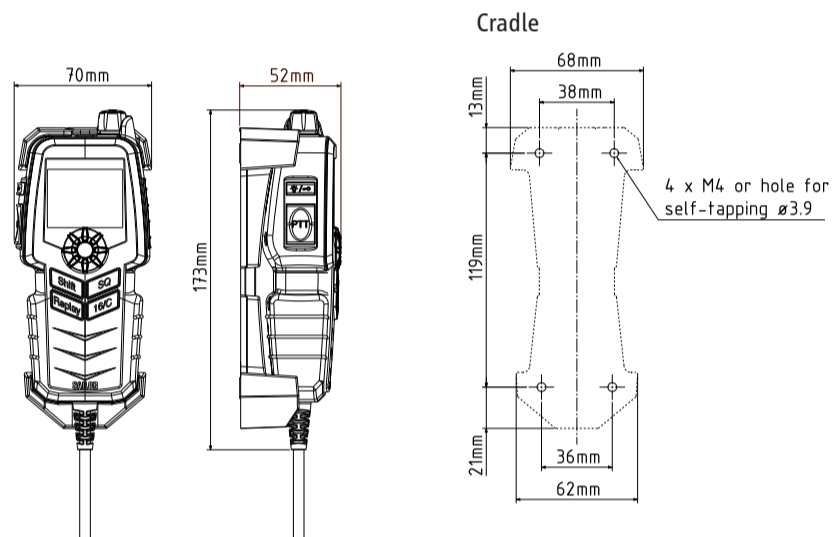
Note!
Firmly tie back and secure any wires not used in order to avoid possibility for mutual shorting or shorting to ground!

Dimensions for Hand Microphone - how to install the cradle

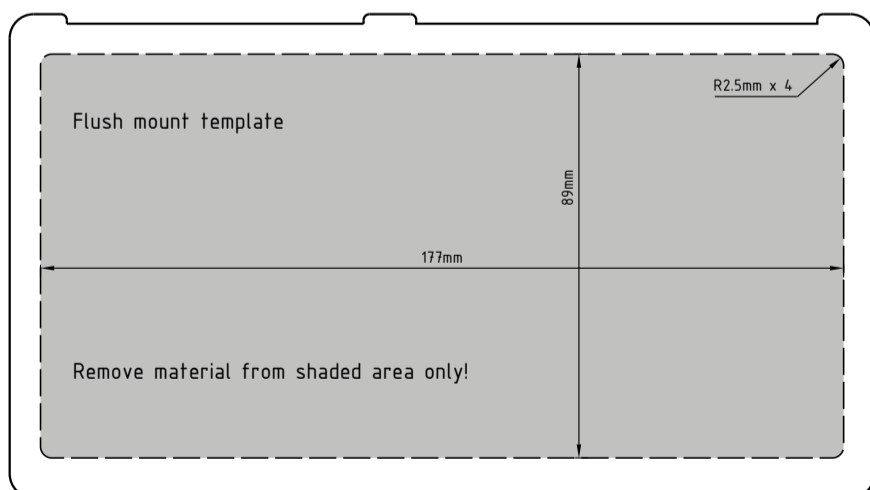


IMPORTANT!
If this template was printed from an electronic file or copied, scaling (1:1) may not be correct. Consequently do not attempt to use a printed or copied template without prior checking of dimensions.

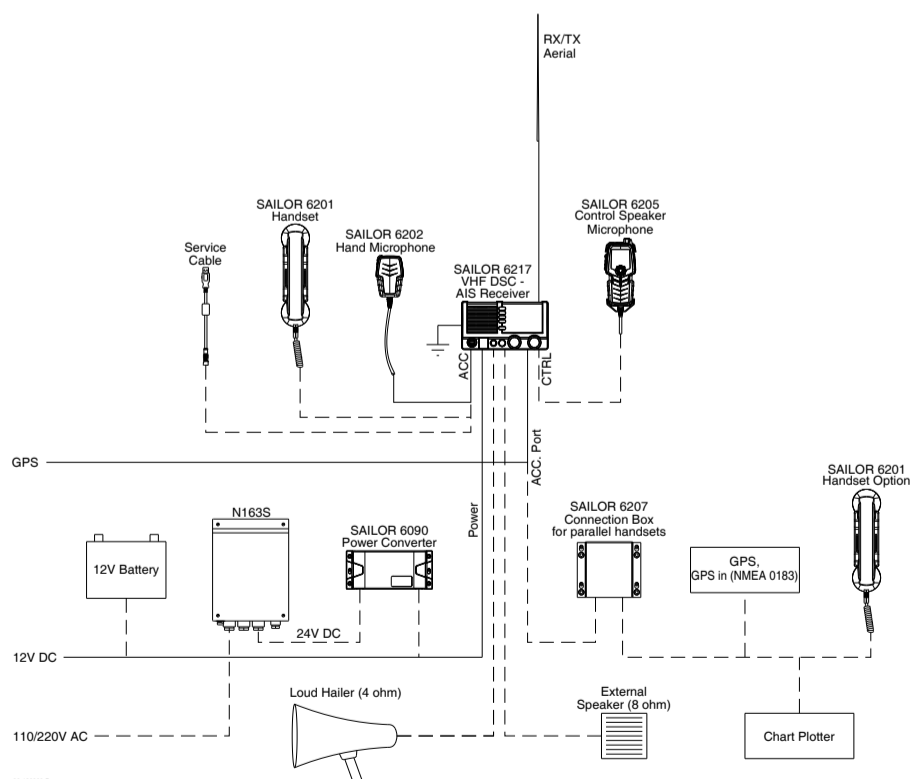
Accessorie - SAILOR 6205 Control Speaker Microphone



Cutout for flush mounting of the VHF



System Configuration - Example



For further information, please download the installation manual part no. 98-135548 at <http://esupport.thrane.com>